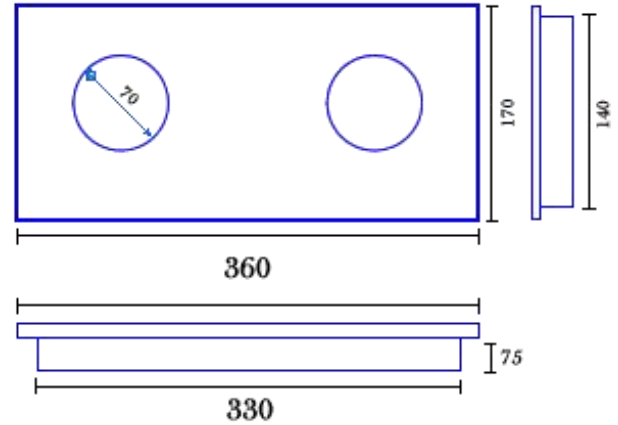




安利消防器材有限公司 Safety Fire Fighting Equipment Ltd.

消防處註冊消防裝置承辦商 • 機電工程署註冊電業承辦商

緊急後備照明燈 (發光二極管) Automatic Emergency Light (LED)



| | |
|----------------------------|---|
| Model No. / 型號 | TS-EL2053R |
| Housing / 外殼 | 金屬材料 · 外焗塗粉狀樹脂漆油 Metal materials with Epoxy Powder Coating |
| Head Lamp / 燈頭 | 防火 ABS 材料 · 電子線採用 UL1015 Fire Resistant ABS materials, Electric Wire used by UL 1015 |
| Rechargeable Battery / 充電池 | Ni-Cd 3.6V 800mAh (full charged within 12 hrs) |
| Normal Output / 輸出功率 | 2 x 0.6W |
| Inner features / 燈內裝置 | 防火線路版及 UL 防火電子線 Fire Resistant P.C. Board & UL Fire Resistant Wire |
| Outside features / 燈外裝置 | 紅色電源指示燈、綠色充電池指示燈、測試掣及 OFF 掣 “RED” Power indication light, “Green” re-charger battery light, Test switch and “OFF” switch |
| Discharge Duration/可亮時間 | Over 2 Hours |
| Testing Standard / 測試標準 | 香港消防處牌照及審批總區: [PPA/104(A) 第四次修訂] HKFSD Licensing & Certification Command [PPA/104(A) 4 th Revision] |
| Standards | BS 5266 Part 1, ESEN 60598-2-22 |
| Line Voltage / 電壓 | AC 220 - 240V 50 Hz |
| Weight / 重量 | 1.50 kg |
| Dimension / 燈箱尺寸 | L360 x W170 x D75mm (Cover) L330 x W140 x D75mm (Body) |

All photos are for reference only. 圖片只供參考

All Technical Information is provided by Manufacturer. The Dealer is not held responsible for any inaccuracies in the data.

香港灣仔麥加力歌街 1-19 號加達樓地下 C1 舖 website: www.FIRE.hk e-mail: safety@fire.hk
Shop C1, G/F., Cactus Mansion, 1-19 McGregor Street, Wan Chai, HK Tel: 2866 6895 Fax: 2866 6795